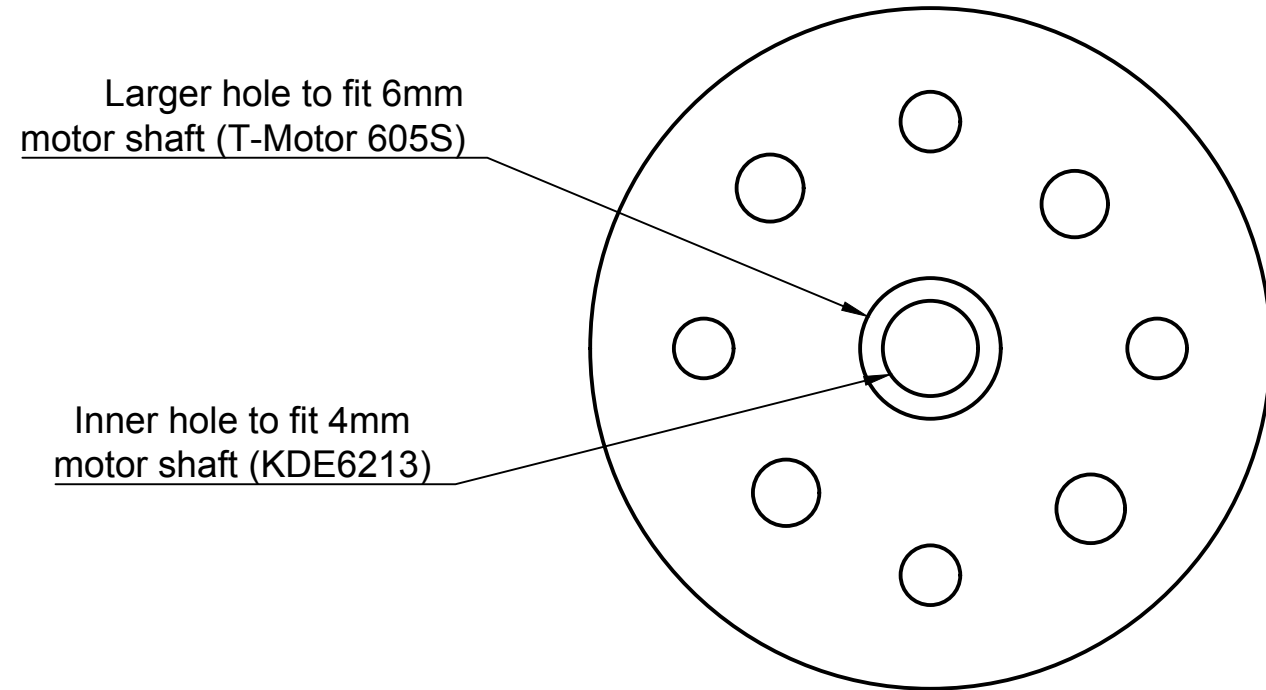
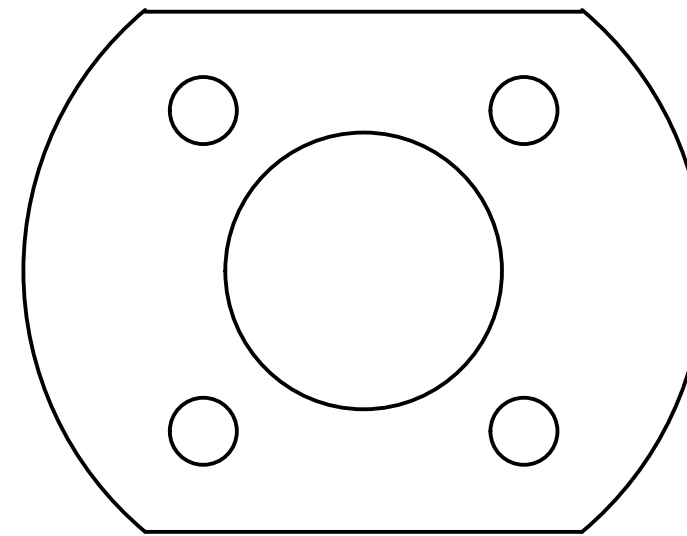


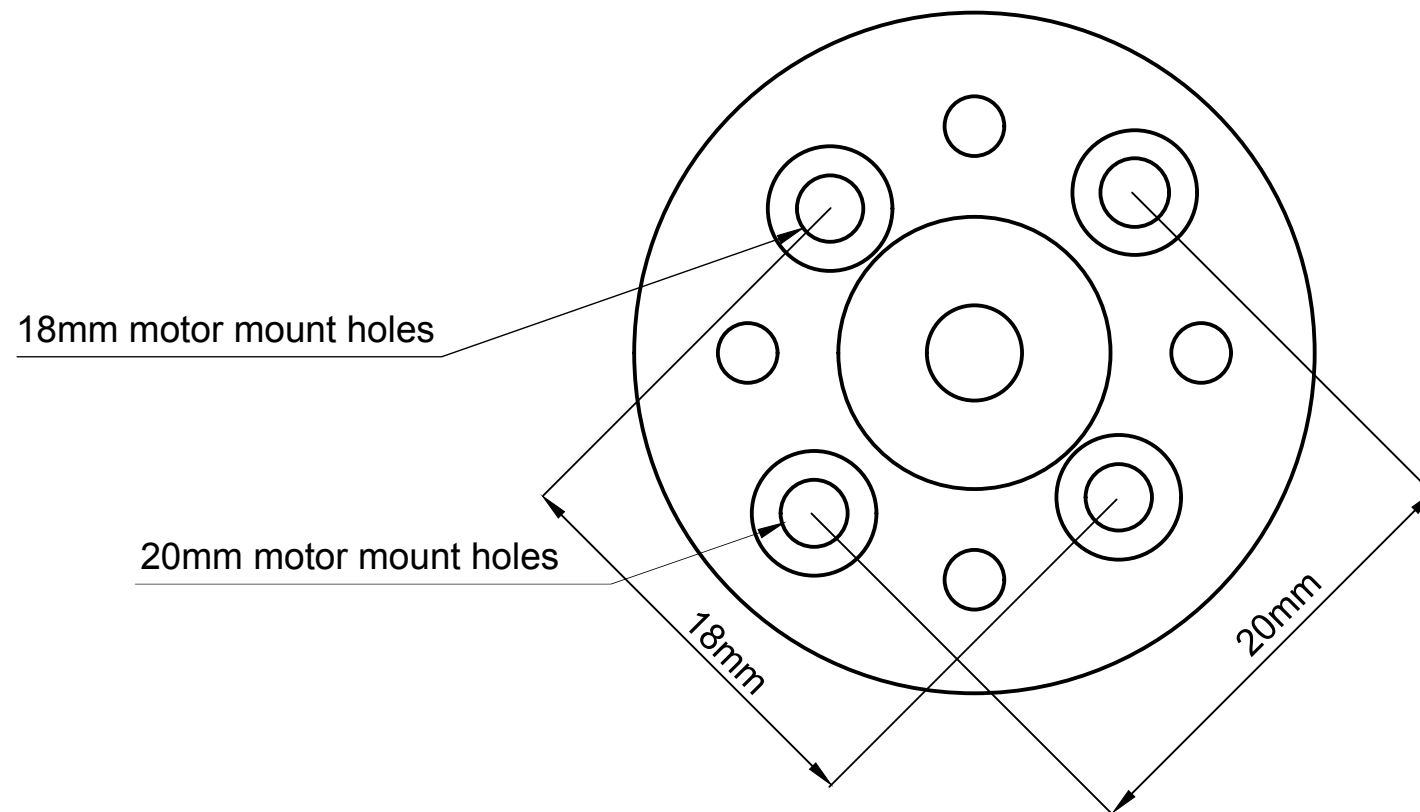
Lower Adaptor (Bottom View)



Top Adaptor Plate



Lower Adaptor (Top View)



ADAPTOR - PRO - MD

NOTES:

Pocket holes on Lower Adaptor etched with witness marks are for 20mm motor-to-propeller mount pattern (i.e. KDE6213)

Pocket holes on Lower Adaptor with no witness marks are for 18mm motor-to-propeller mount pattern (i.e. T-Motor 605S)

ATTENTION: Through-hole diameters on propellers are purposely smaller to allow for snug fit when properly installed.

Take precaution to thread flat socket screws straight to avoid cross-threading the Adaptor holes.

DO NOT fully tighten until all screws are correctly threaded through the propellers and Adaptor components

ASSEMBLY INSTRUCTIONS

- 1: Determine propeller mounting bolt pattern and shaft size - see Notes
- 2: Mount Lower Adaptor to motor using provided M3x0.5 socket machine bolts (2)
- 3: Place AMP propellers onto lower mounting bracket. Propeller root tips should be close to touching on both sides.
- 4: Place Top Adaptor Plate over Lower Adaptor shaft, align mounting holes, and assemble Adaptor using M3x0.5x12 flat socket screws (4)

PROPRIETARY AND CONFIDENTIAL

THE INFORMATION CONTAINED IN THIS DRAWING IS THE SOLE PROPERTY OF AUTONOMOUS FLIGHT TECHNOLOGIES, INC (AFT, INC) ANY REPRODUCTION IN PART AS A WHOLE WITHOUT THE WRITTEN PERMISSION OF AFT, INC. IS PROHIBITED.